

Class Measurement Rules

Appendix 1 Rigging Diagrams

handbook

diagram i plan

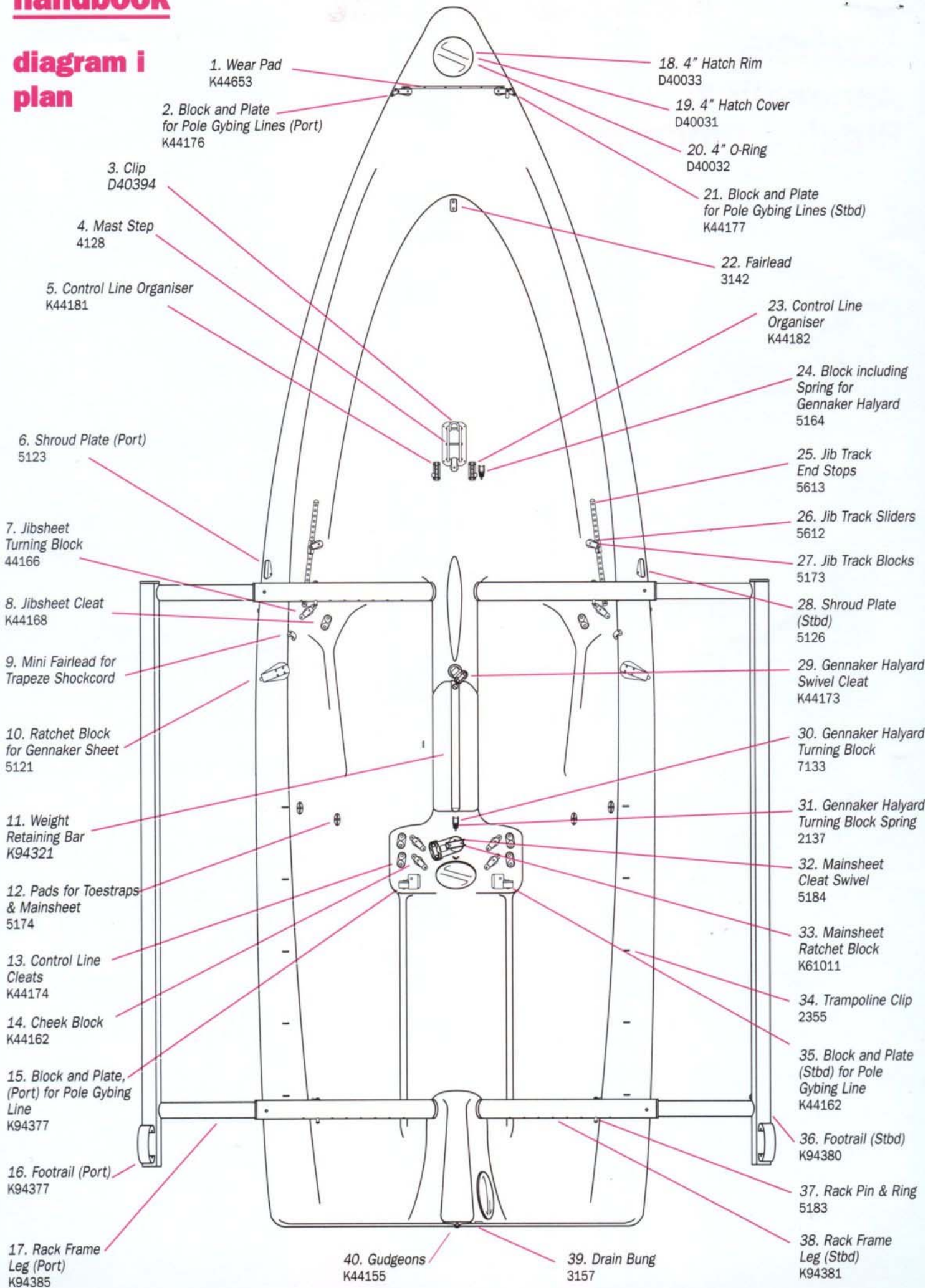


diagram ii
gnav & mainsheet

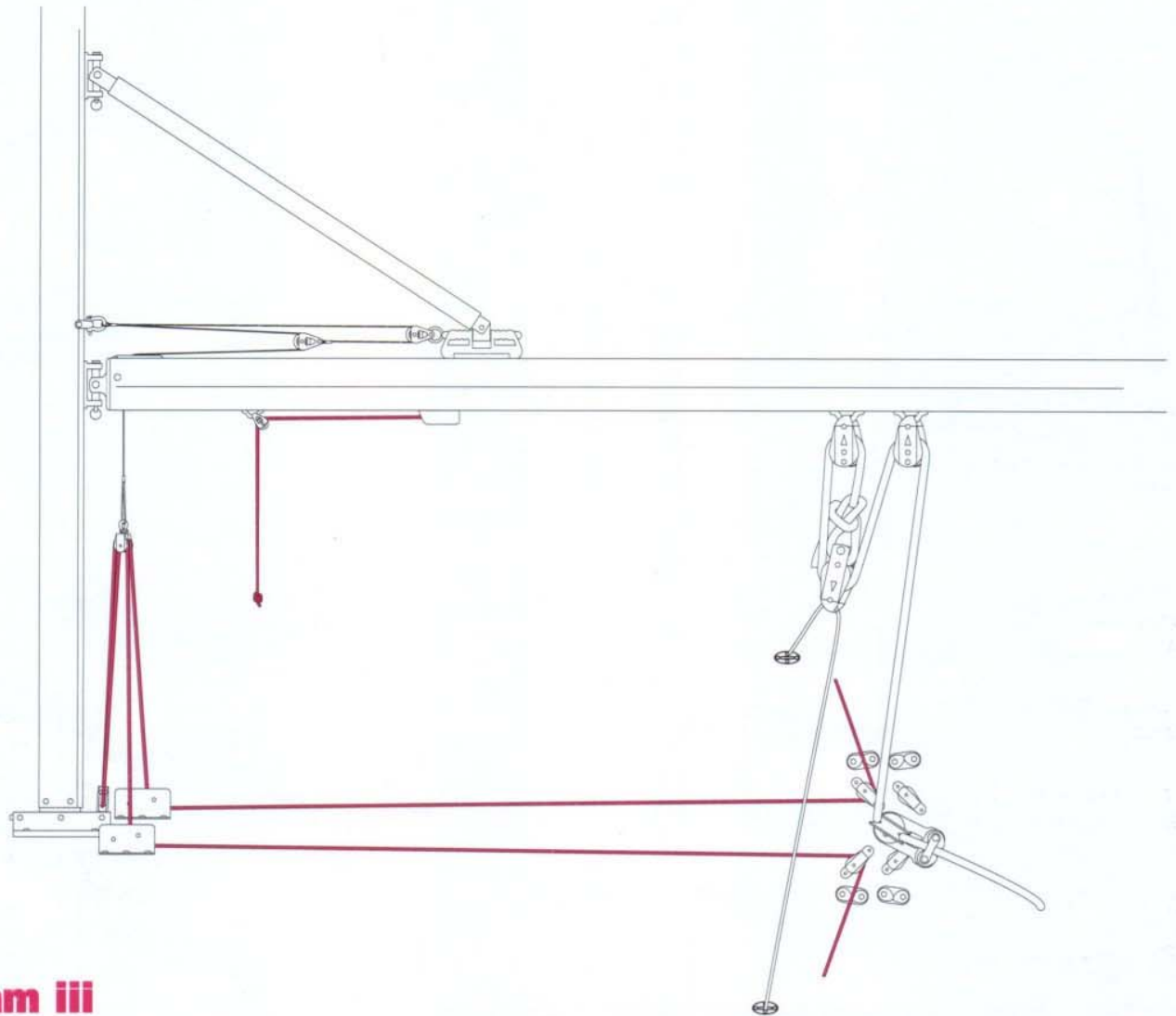
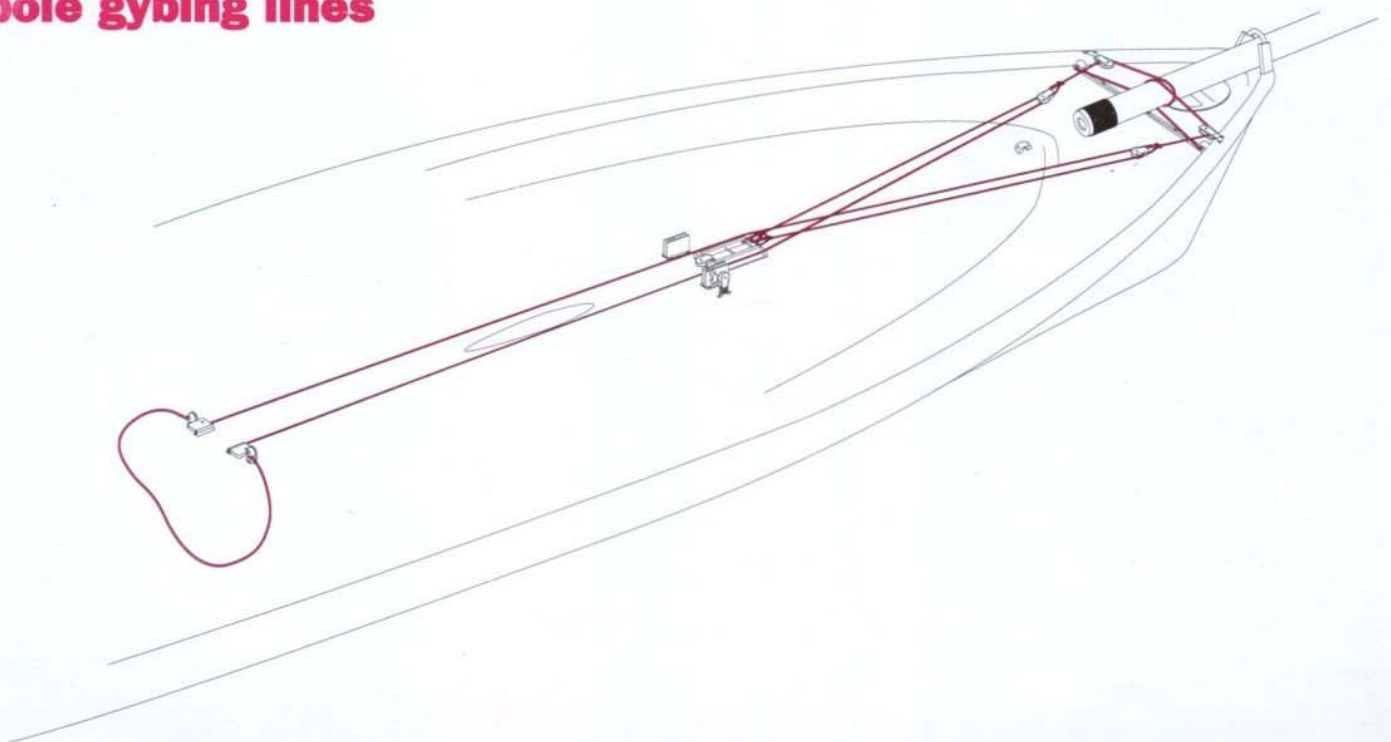


diagram iii
pole gybing lines



handbook

diagram iv cunningham & outhaul

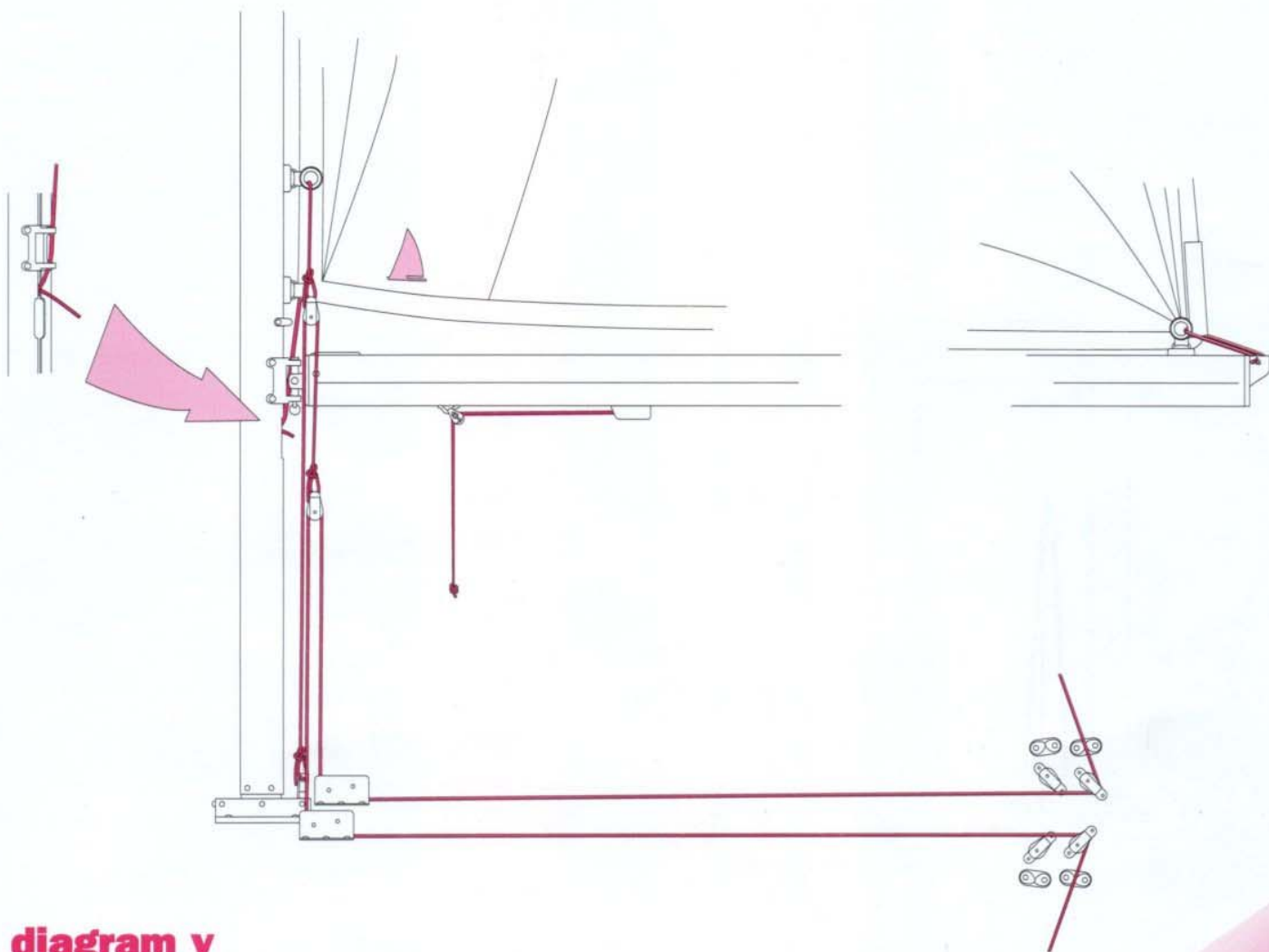


diagram v spinnaker & pole launching system

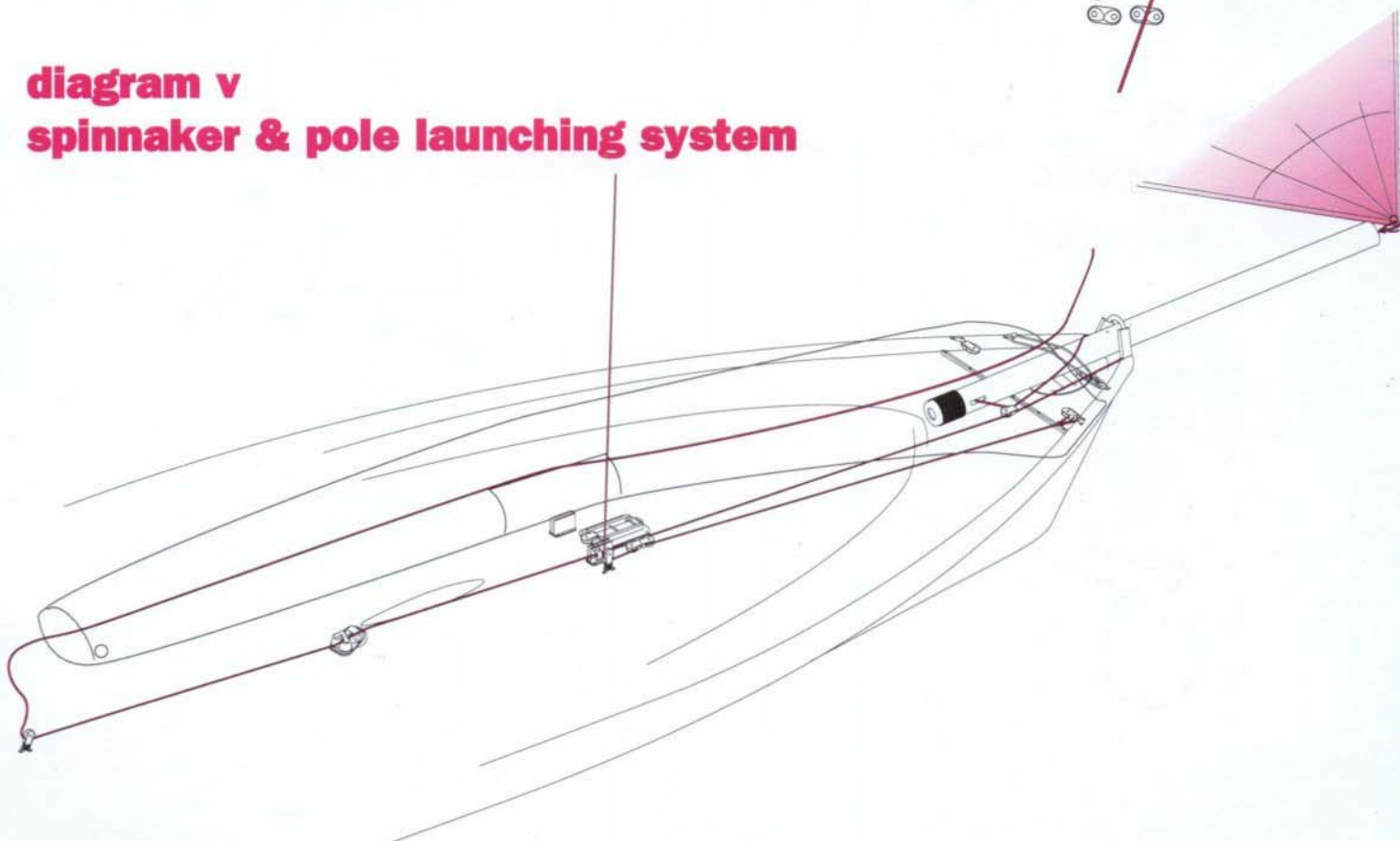
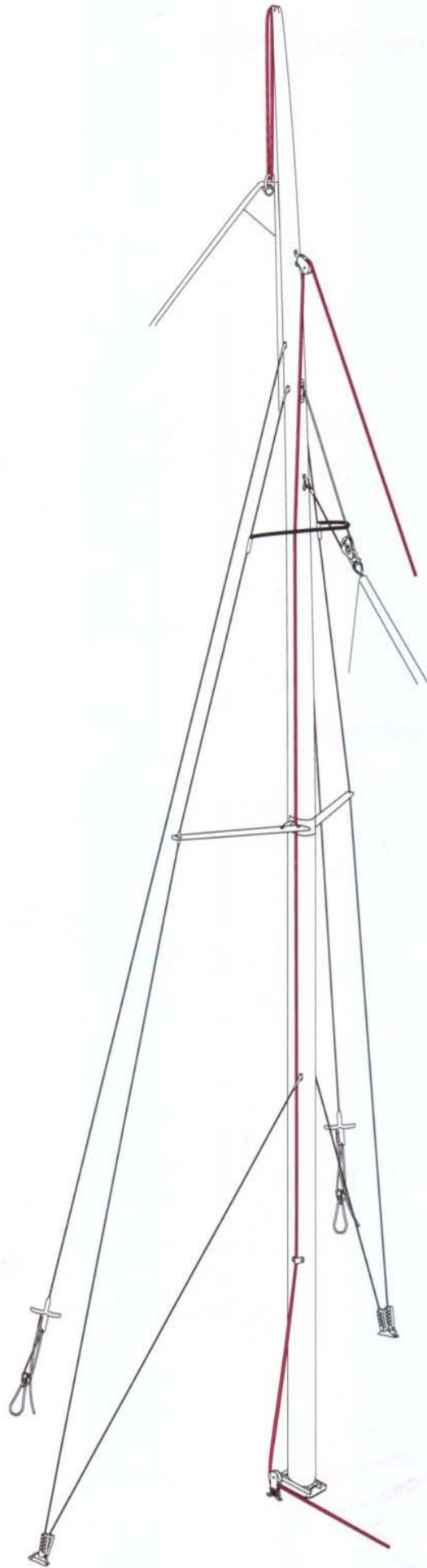
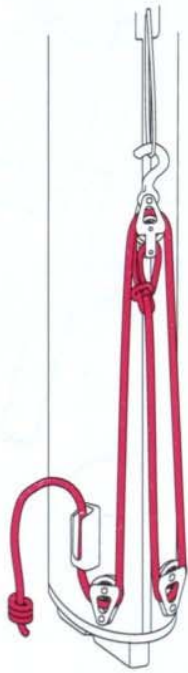


diagram vi
mast rigging



handbook

diagram vii trapeze adjustment & elastic

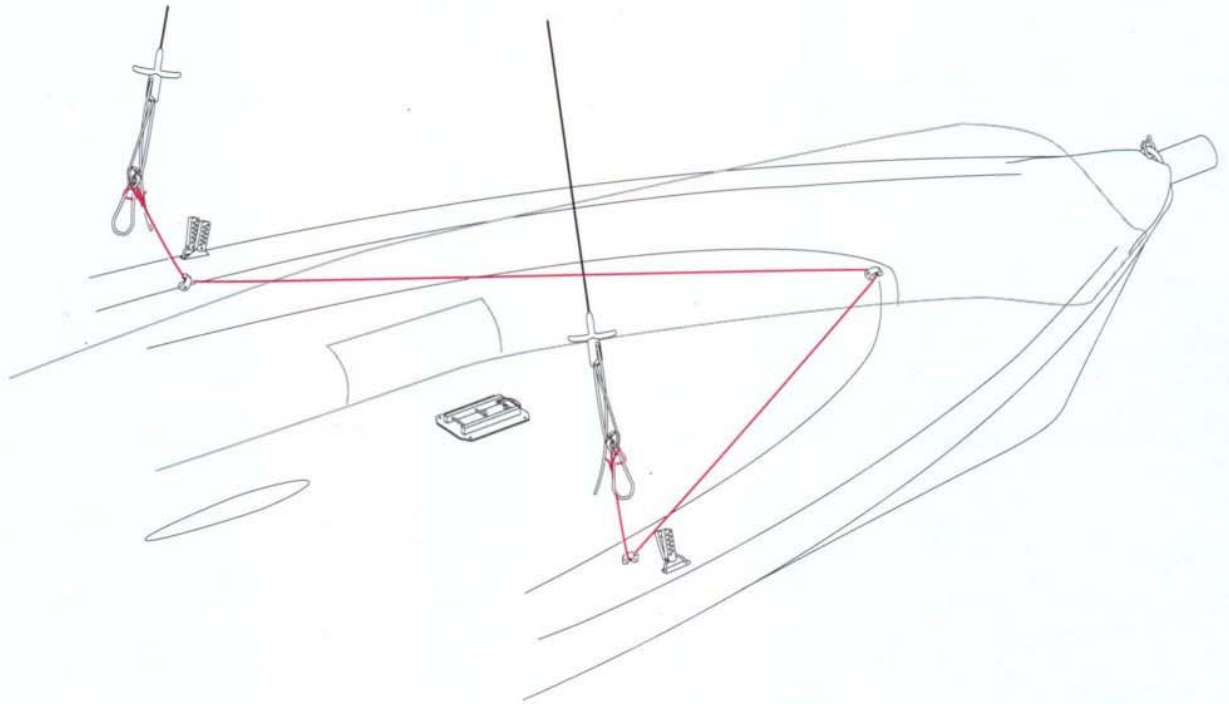


diagram viii trampoline & toe-straps

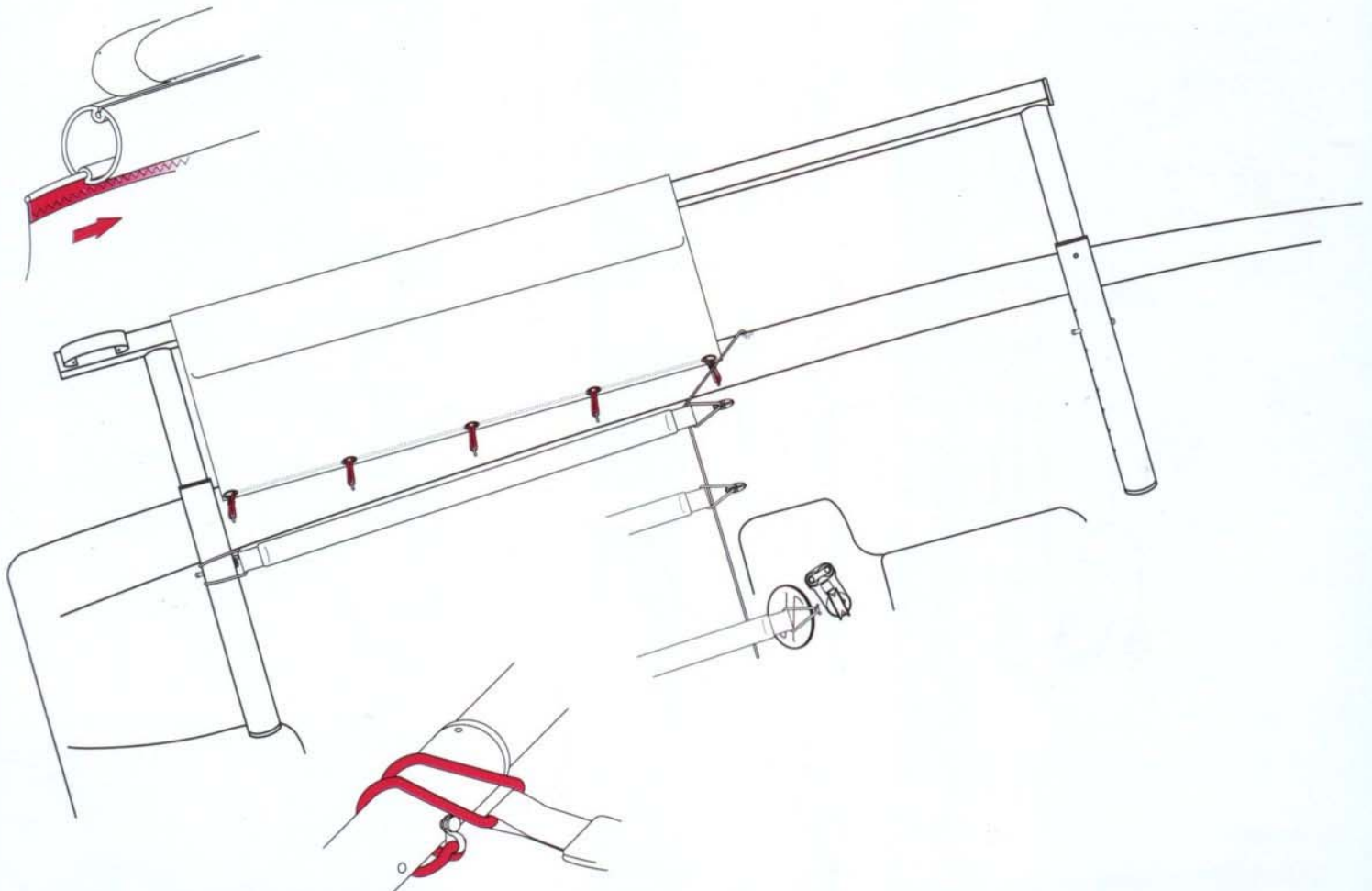


diagram ix
sail numbers

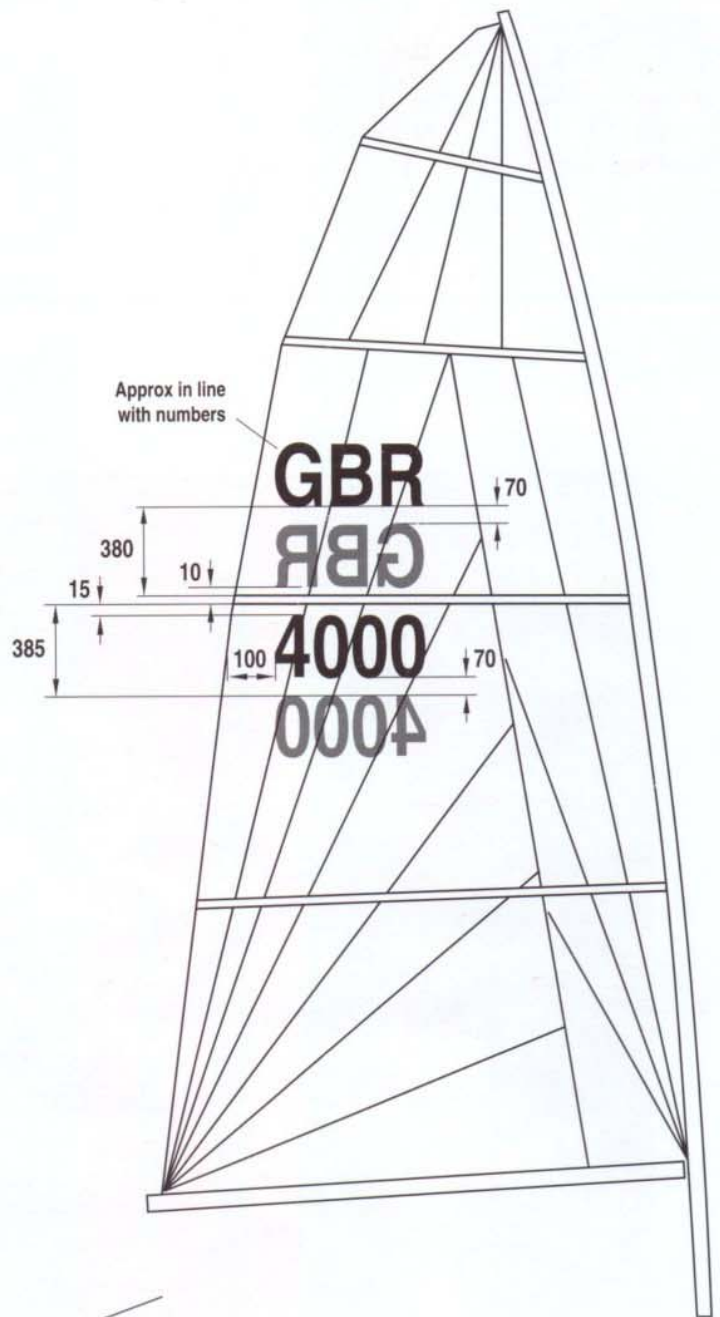


diagram x
tidy lines

